

Version	2.0	Date	9/26/19
Prepared By	JC		

PRODUCT SPECIFICATION	
Category	Vapor Tight
Item Number	9343
Stock Code	LED-FXVTL40/48FR/850-SEN
Mounting	Surface / Ceiling / Chain
Housing Color	Gray + Frosted Lens

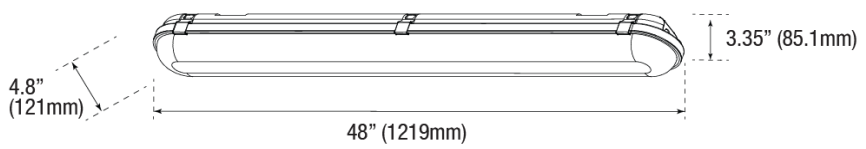


ELECTRICAL CHARACTERISTICS			
Rated Wattage (W)	40	Replacement Wattage (W)	3 x 32W T8
Tested Wattage (W)	40		
Input Voltage (V)	120-277V	Surge Protect Level	4KV
Voltage Frequency (Hz)	50/60	Dimmable	1-10V
Input Current (A)	0.324	AUX (12V) Line	-
Power Factor	>0.9		
THD	<20%		

PHOTOMETRIC CHARACTERISTICS			
Lumen (lm)	5,444	CCT (K)	5000
Efficacy (lm/w)	136	Beam Angle (°)	110°
CRI	>80		

GENERAL CHARACTERISTICS	
Operating Temperature (°F)	-22°F ~ 122°
Storage Temperature (°F)	-40°F ~ 158°
IP Rating	IP65
IK Rating	-
Rated Life (Hrs)	50,000
Warranty (Yrs)	5

ACCESSORIES		
Item #	Stock Code	Description
7336	BAEM4-60BC/MV-A	4W Emergency Driver

PRODUCT DIMENSIONS		
Width- in / (mm)	48" / 1219	
Height- in / (mm)	3.35" / 85.1	
Depth- in / (mm)	4.80" / 121	
IK Rating	-	
Weight (lbs)	-	
Mounting Height (ft)	-	
Cable Length (ft)	-	

CERTIFICATIONS			
UL/ETL	ETL	CEC	
NSF/ETL Sanitation		JA8	
Energy Star		FCC	✓
DLC		RoHs	✓

DOCUMENTS			
LM79	✓	IES File	✓
LM80	✓	Dimmer List	

COMMENTS
Motion Sensor Included